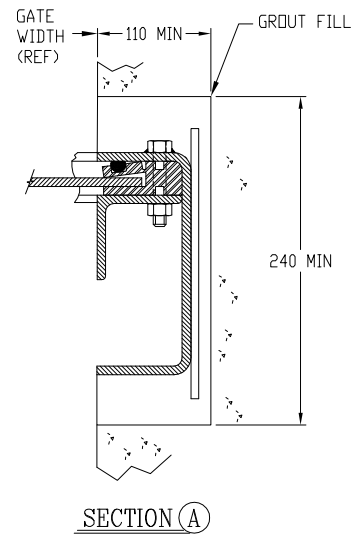
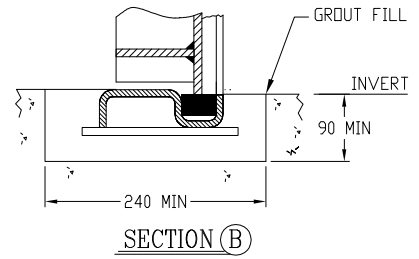
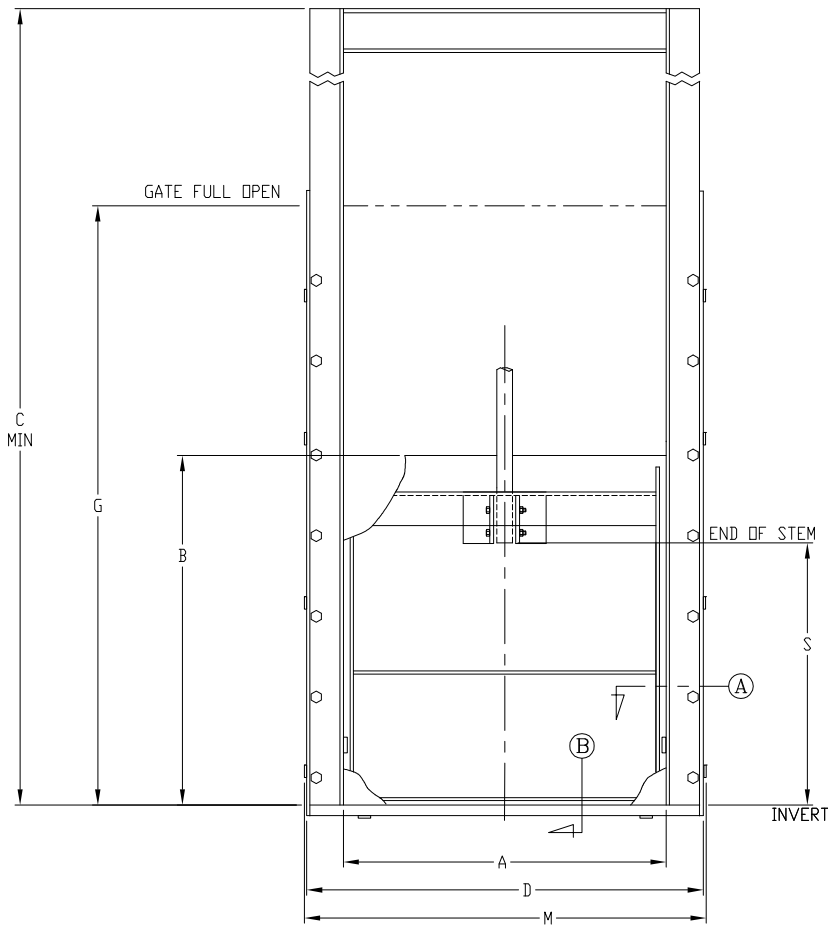


FOR PRELIMINARY DESIGN PURPOSES ONLY
DO NOT USE FOR INSTALLATION UNLESS
PART OF CERTIFIED & APPROVED SUBMITTAL



GATE SIZE A x B	C	D	G	M	S (RS)
200 x 200	604	340	400	352	52
250 x 250	704	390	500	402	102
300 x 300	804	440	600	452	152
300 x 380	964	440	760	452	232
300 x 450	1104	440	900	452	302
300 x 600	1404	440	1200	452	452
350 x 350	904	490	700	502	202
380 x 300	804	520	600	532	152
380 x 380	964	520	760	532	232
380 x 450	1104	520	900	532	302
380 x 600	1404	520	1200	532	452
380 x 750	1704	520	1500	532	602
400 x 400	1004	540	800	552	252
450 x 300	804	590	600	602	152
450 x 450	1104	590	900	602	302
450 x 600	1404	590	1200	602	452
450 x 750	1704	590	1500	602	602

GATE SIZE A x B	C	D	G	M	S (RS)
450 x 900	2004	590	1800	602	752
500 x 500	1204	640	1000	652	352
530 x 530	1264	670	1060	682	382
600 x 300	804	740	600	752	152
600 x 450	1104	740	900	752	302
600 x 600	1404	740	1200	752	452
600 x 750	1704	740	1500	752	602
600 x 900	2004	740	1800	752	752
600 x 1050	2304	740	2100	752	902
600 x 1200	2604	740	2400	752	1052
700 x 700	1604	840	1400	852	552
750 x 450	1104	890	900	902	302
750 x 600	1404	890	1200	902	452
750 x 750	1704	890	1500	902	602
750 x 900	2004	890	1800	902	752
750 x 1050	2304	890	2100	902	902
750 x 1200	2604	890	2400	902	1052

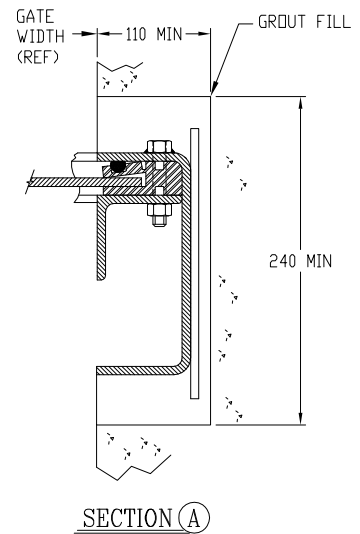
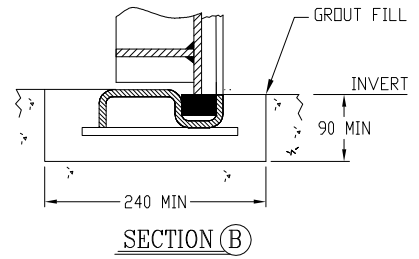
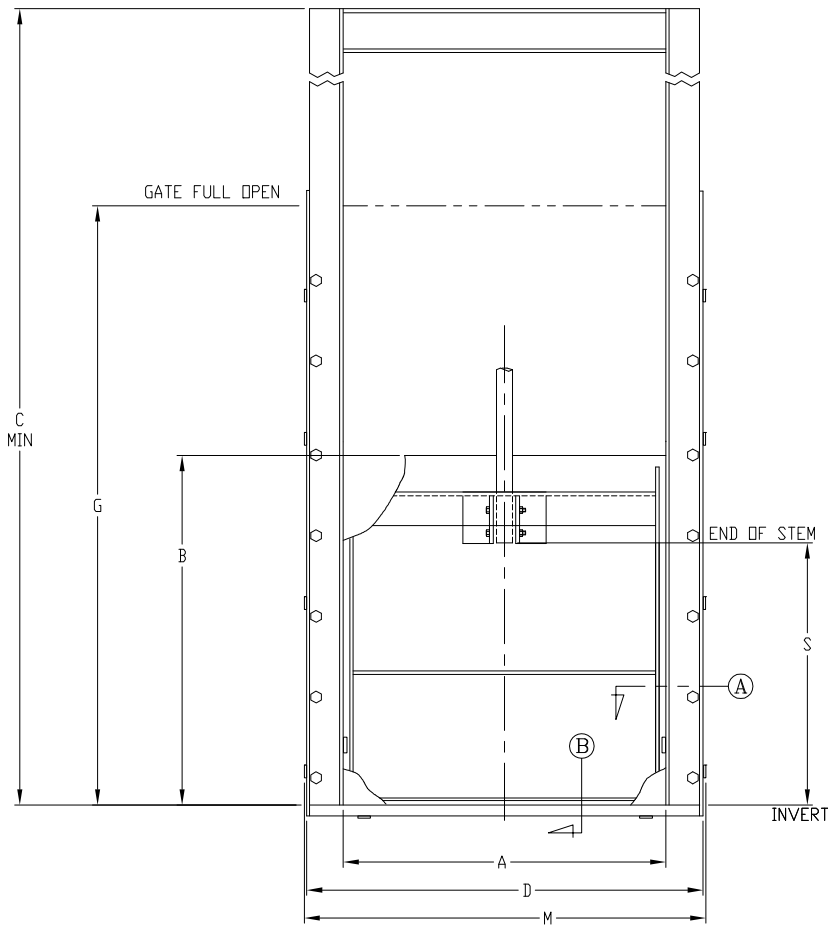
± 4mm ON THE STEM CENTERLINE DIMENSION.
1 ALL DIMENSIONS ARE IN MM
NOTES: UNLESS OTHERWISE SPECIFIED.

SS-256-1

REVISION	DATE	APPROVED
DRAWN BY KA	CHECKED BY	
SCALE NONE	DATE 11-02-03	
DRAWING NO. 100511	SHEET 1 OF 3	

WATERMAN INDUSTRIES OF EGYPT

FOR PRELIMINARY DESIGN PURPOSES ONLY
DO NOT USE FOR INSTALLATION UNLESS
PART OF CERTIFIED & APPROVED SUBMITTAL



GATE SIZE A x B	C	D	G	M	S (RS)
750 x 1370	2944	890	2740	902	1222
750 x 1500	3204	890	3000	902	1352
800 x 800	1804	940	1600	952	652
900 x 450	1104	1040	900	1052	302
900 x 600	1404	1040	1200	1052	452
900 x 750	1704	1040	1500	1052	602
900 x 900	2004	1040	1800	1052	752
900 x 1050	2304	1040	2100	1052	902
900 x 1200	2604	1040	2400	1052	1052
900 x 1370	2944	1040	2740	1052	1222
900 x 1500	3204	1040	3000	1052	1352
900 x 1670	3544	1040	3340	1052	1522
900 x 1800	3804	1040	3600	1052	1652
1000 x 1000	2204	1140	2000	1152	852
1050 x 600	1404	1190	1200	1202	452
1050 x 750	1704	1190	1500	1202	602
1050 x 900	2004	1190	1800	1202	752

GATE SIZE A x B	C	D	G	M	S (RS)
1050 x 1050	2304	1190	2100	1202	902
1050 x 1200	2604	1190	2400	1202	1052
1050 x 1370	2944	1190	2740	1202	1222
1050 x 1500	3204	1190	3000	1202	1352
1050 x 1670	3544	1190	3340	1202	1522
1050 x 1800	3804	1190	3600	1202	1652
1100 x 1100	2404	1240	2200	1252	952
1200 x 600	1404	1340	1200	1352	452
1200 x 750	1704	1340	1500	1352	602
1200 x 900	2004	1340	1800	1352	752
1200 x 1050	2304	1340	2100	1352	902
1200 x 1200	2604	1340	2400	1352	1052
1200 x 1370	2944	1340	2740	1352	1222
1200 x 1500	3204	1340	3000	1352	1352
1200 x 1670	3544	1340	3340	1352	1522
1200 x 1800	3804	1340	3600	1352	1652
1300 x 1300	2804	1440	2600	1452	1152

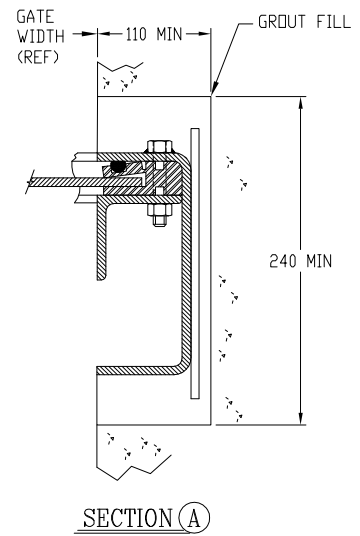
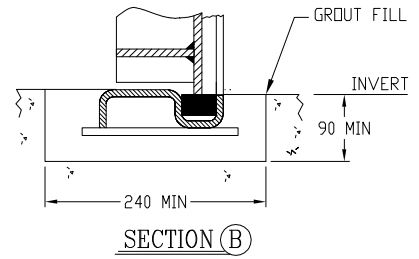
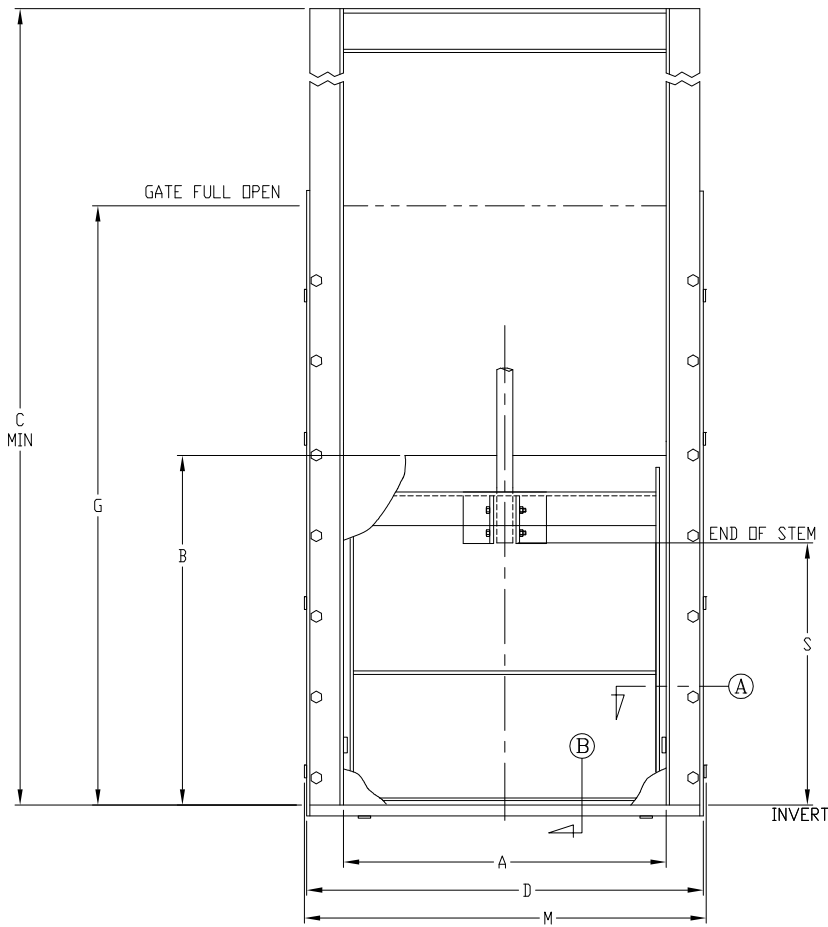
± 4mm ON THE STEM CENTERLINE DIMENSION.
1 ALL DIMENSIONS ARE IN MM
NOTES: UNLESS OTHERWISE SPECIFIED.

SS-256-1

REVISION	DATE	APPROVED
DRAWN BY KA	CHECKED BY	
SCALE NONE	DATE 11-02-03	
DRAWING NO. 100511	SHEET 2 OF 3	

WATERMAN INDUSTRIES OF EGYPT

FOR PRELIMINARY DESIGN PURPOSES ONLY
DO NOT USE FOR INSTALLATION UNLESS
PART OF CERTIFIED & APPROVED SUBMITTAL



GATE SIZE A x B	C	D	G	M	S
					(RS)
1370 x 750	1704	1510	1500	1522	602
1370 x 900	2004	1510	1800	1522	752
1370 x 1050	2304	1510	2100	1522	902
1370 x 1200	2604	1510	2400	1522	1052
1370 x 1370	2944	1510	2740	1522	1222
1370 x 1500	3204	1510	3000	1522	1352
1370 x 1670	3544	1510	3340	1522	1522
1370 x 1800	3804	1510	3600	1522	1652
1400 x 1400	3004	1540	2800	1552	1252
1500 x 750	1704	1640	1500	1652	602
1500 x 900	2004	1640	1800	1652	752
1500 x 1050	2304	1640	2100	1652	902
1500 x 1200	2604	1640	2400	1652	1052
1500 x 1370	2944	1640	2740	1652	1222
1500 x 1500	3204	1640	3000	1652	1352
1500 x 1670	3544	1640	3340	1652	1522
1500 x 1800	3804	1640	3600	1652	1652

GATE SIZE A x B	C	D	G	M	S
					(RS)
1600 x 1600	3404	1740	3200	1752	1452
1670 x 900	2004	1810	1800	1822	752
1670 x 1050	2304	1810	2100	1822	902
1670 x 1200	2604	1810	2400	1822	1052
1670 x 1370	2944	1810	2740	1822	1222
1670 x 1500	3204	1810	3000	1822	1352
1670 x 1670	3544	1810	3340	1822	1522
1670 x 1800	3804	1810	3600	1822	1652
1700 x 1700	3604	1840	3400	1852	1552
1800 x 900	2004	1940	1800	1952	752
1800 x 1050	2304	1940	2100	1952	902
1800 x 1200	2604	1940	2400	1952	1052
1800 x 1370	2944	1940	2740	1952	1222
1800 x 1500	3204	1940	3000	1952	1352
1800 x 1670	3544	1940	3340	1952	1522
1800 x 1800	3804	1940	3600	1952	1652

± 4mm ON THE STEM CENTERLINE DIMENSION.
1 ALL DIMENSIONS ARE IN MM
NOTES: UNLESS OTHERWISE SPECIFIED.

SS-256-1

REVISION	DATE	APPROVED
DRAWN BY KA	CHECKED BY	
SCALE NONE	DATE 11-02-03	
DRAWING NO. 100511	SHEET 3 OF 3	

WATERMAN INDUSTRIES OF EGYPT