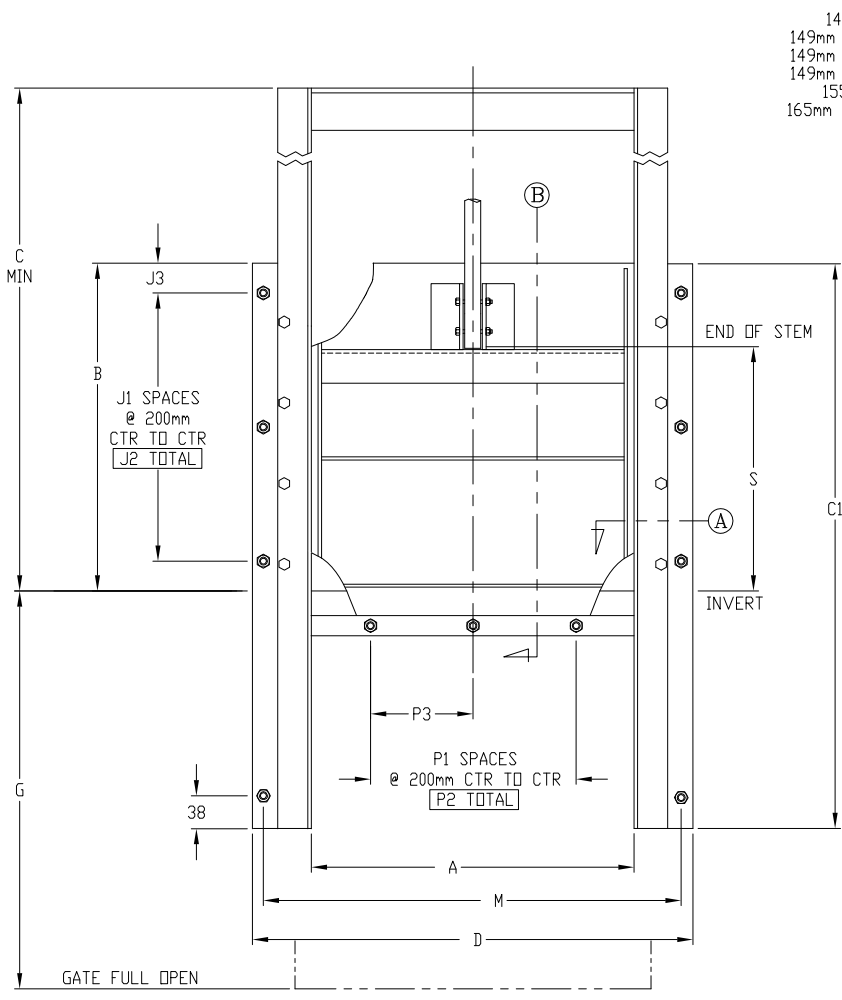
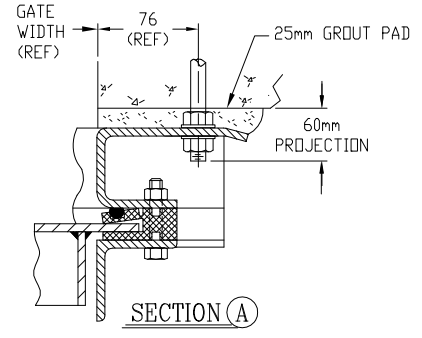
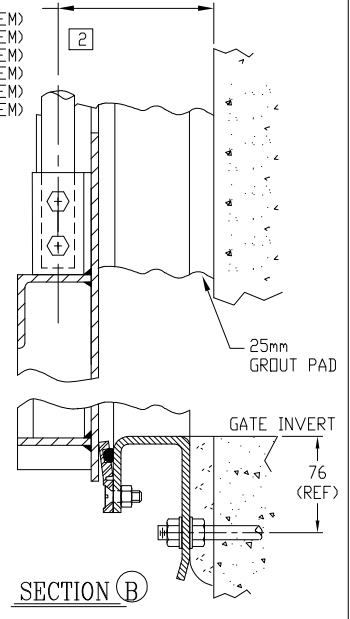


FOR PRELIMINARY DESIGN PURPOSES ONLY  
 DO NOT USE FOR INSTALLATION UNLESS  
 PART OF CERTIFIED & APPROVED SUBMITTAL



- 149mm (1 DIA STEM)
- 149mm (1-1/8 DIA STEM)
- 149mm (1-1/4 DIA STEM)
- 149mm (1-1/2 DIA STEM)
- 155mm (2 DIA STEM)
- 165mm (2-1/2 DIA STEM)



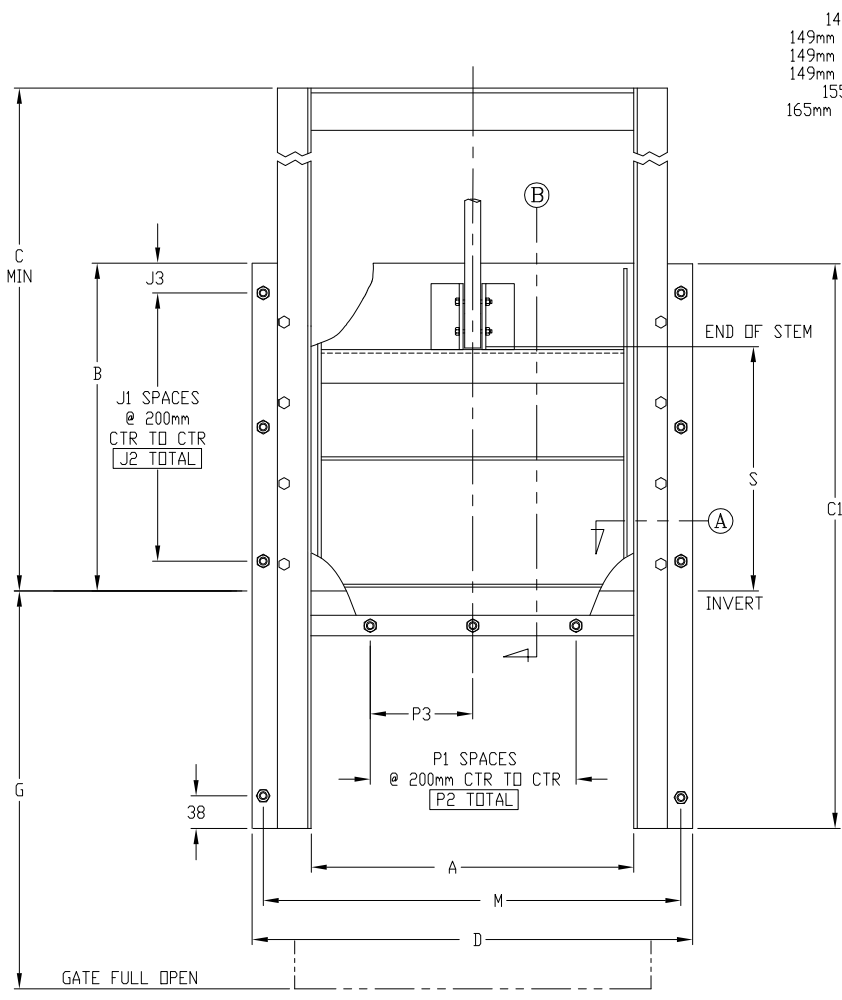
GATE SIZE A x B	C	C1	D	G	J1	J2	J3	M	P1	P2	P3	S
												(RS)
200 x 200	404	334	454	264	0	0	100	352	0	0	0	54
250 x 250	454	417	504	314	1	200	25	402	1	200	100	102
300 x 300	504	500	554	364	1	200	50	452	1	200	100	152
300 x 380	584	634	554	444	1	200	75	452	1	200	100	232
300 x 450	654	750	554	514	2	400	25	452	1	200	100	302
300 x 600	804	1000	554	664	2	400	100	452	1	200	100	452
350 x 350	554	584	604	414	1	200	75	502	1	200	100	202

2 ± 4mm ON THE STEM CENTERLINE DIMENSION.  
 1 ALL DIMENSIONS ARE IN MM  
 NOTES: UNLESS OTHERWISE SPECIFIED.

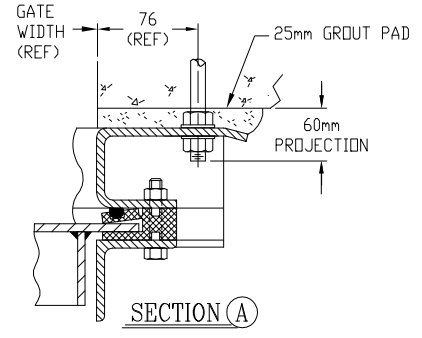
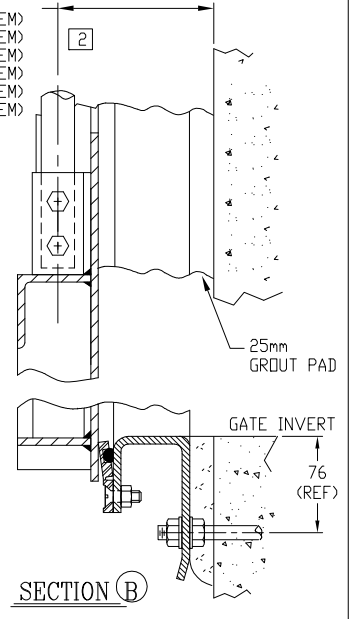
SS-254-1

REVISION	DATE	APPROVED
DRAWN BY KA	CHECKED BY	
SCALE NONE	DATE 15-03-05	
DRAWING NO. 100510	SHEET 1 OF 7	

FOR PRELIMINARY DESIGN PURPOSES ONLY  
DO NOT USE FOR INSTALLATION UNLESS  
PART OF CERTIFIED & APPROVED SUBMITTAL



- 149mm (1 DIA STEM)
- 149mm (1-1/8 DIA STEM)
- 149mm (1-1/4 DIA STEM)
- 149mm (1-1/2 DIA STEM)
- 155mm (2 DIA STEM)
- 165mm (2-1/2 DIA STEM)



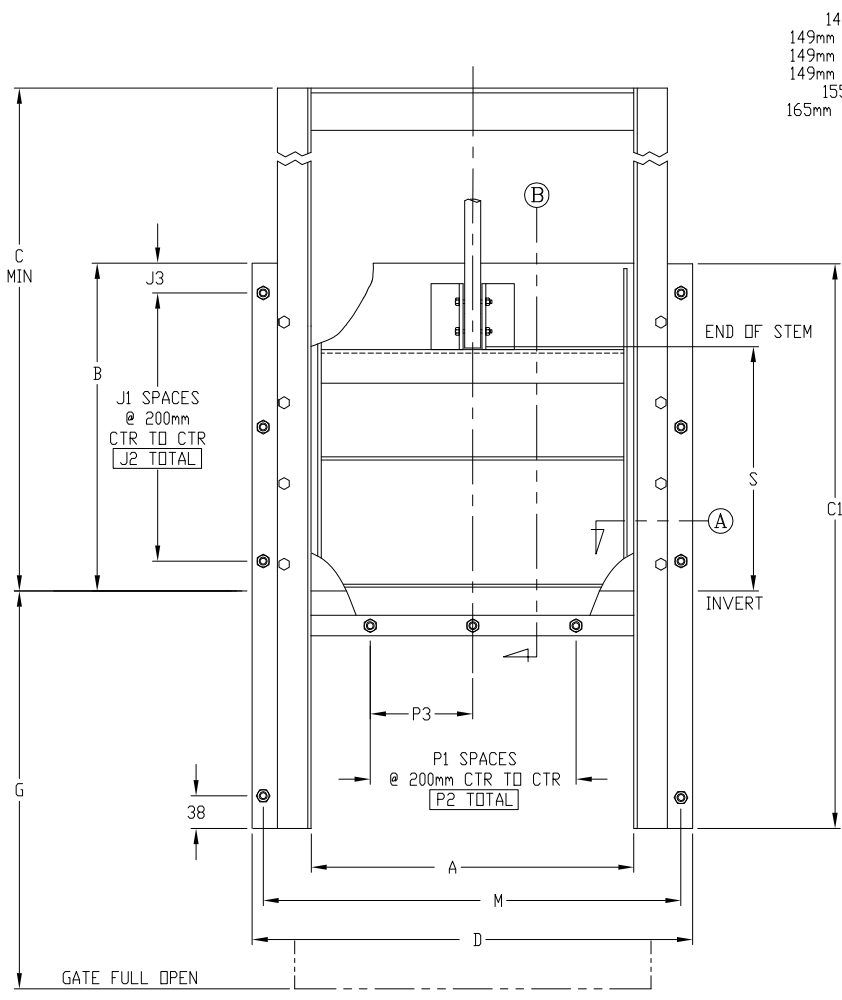
GATE SIZE A x B	C	C1	D	G	J1	J2	J3	M	P1	P2	P3	S
												(RS)
380 x 300	504	500	634	364	1	200	50	532	1	200	100	152
380 x 380	584	634	634	444	1	200	75	532	1	200	100	232
380 x 450	654	750	634	514	2	400	25	532	1	200	100	302
380 x 600	804	1000	634	664	2	400	100	532	1	200	100	452
380 x 750	954	1250	634	814	3	600	75	532	1	200	100	602
400 x 400	604	667	654	464	1	200	100	552	1	200	100	252
450 x 300	504	500	704	364	1	200	50	602	2	400	200	152
450 x 450	654	750	704	514	2	400	25	602	2	400	200	302
450 x 600	804	1000	704	664	2	400	100	602	2	400	200	452
450 x 750	954	1250	704	814	3	600	75	602	2	400	200	602
450 x 900	1104	1500	704	964	4	800	50	602	2	400	200	752
500 x 500	704	834	754	564	2	400	50	652	2	400	200	352
530 x 530	734	884	784	594	2	400	50	682	2	400	200	382
600 x 300	504	500	854	364	1	200	50	752	2	400	200	152

2 ± 4mm ON THE STEM CENTERLINE DIMENSION.  
1 ALL DIMENSIONS ARE IN MM  
NOTES: UNLESS OTHERWISE SPECIFIED.

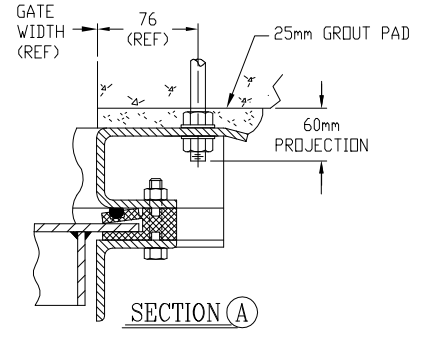
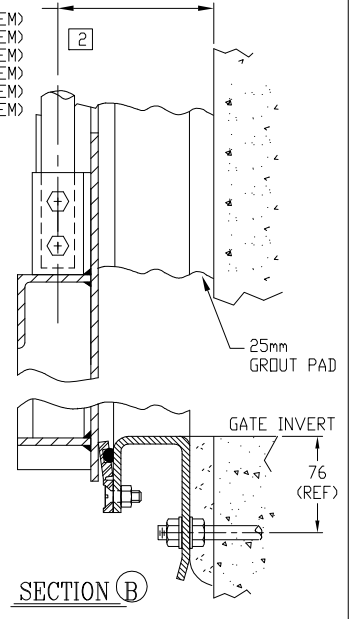
SS-254-1

REVISION	DATE	APPROVED
DRAWN BY KA	CHECKED BY	
SCALE NONE	DATE 15-03-05	
DRAWING NO. 100510	SHEET 2 OF 7	

FOR PRELIMINARY DESIGN PURPOSES ONLY  
 DO NOT USE FOR INSTALLATION UNLESS  
 PART OF CERTIFIED & APPROVED SUBMITTAL



- 149mm (1 DIA STEM)
- 149mm (1-1/8 DIA STEM)
- 149mm (1-1/4 DIA STEM)
- 149mm (1-1/2 DIA STEM)
- 155mm (2 DIA STEM)
- 165mm (2-1/2 DIA STEM)



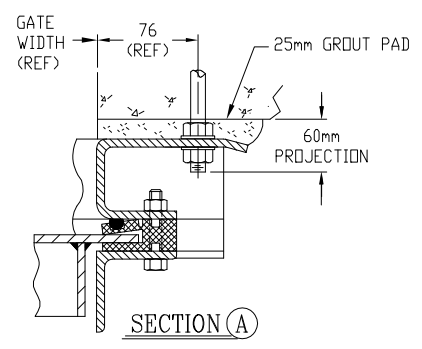
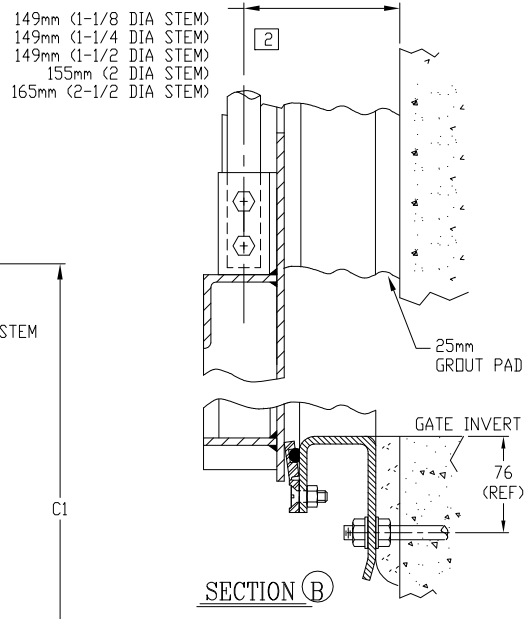
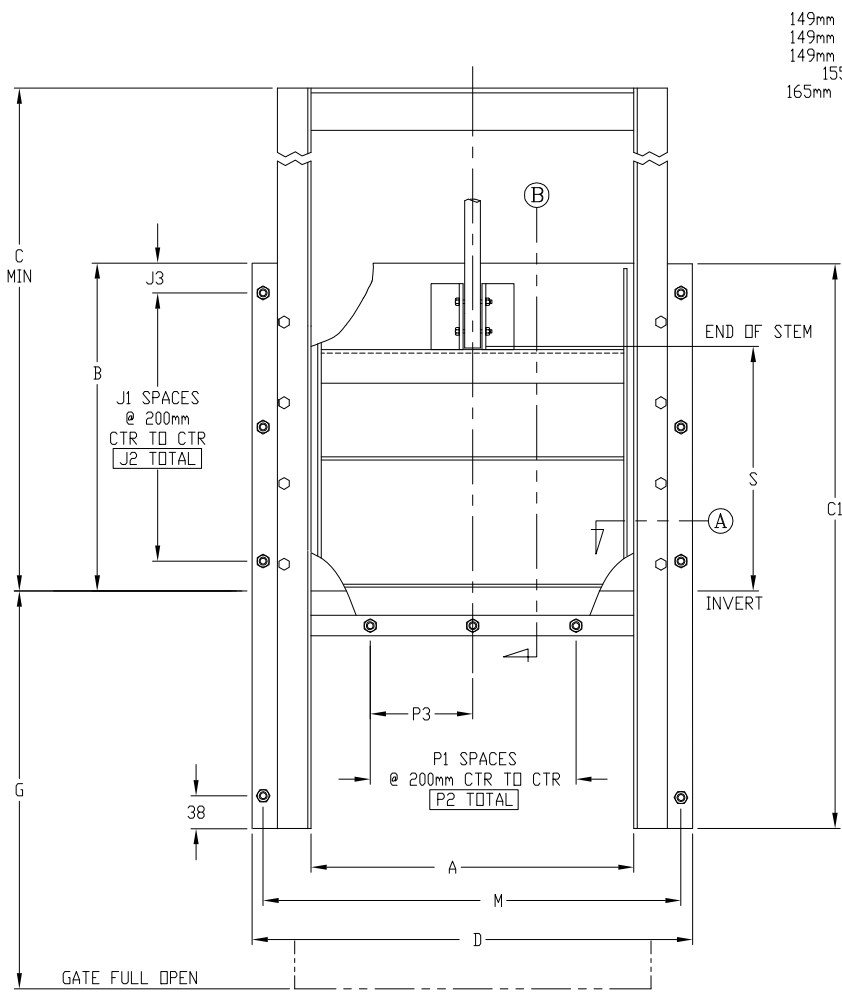
GATE SIZE A x B	C	C1	D	G	J1	J2	J3	M	P1	P2	P3	S
												(RS)
600 x 450	654	750	854	514	2	400	25	752	2	400	200	302
600 x 600	804	1000	854	664	2	400	100	752	2	400	200	452
600 x 750	954	1250	854	814	3	600	75	752	2	400	200	602
600 x 900	1104	1500	854	964	4	800	50	752	2	400	200	752
600 x 1050	1254	1750	854	1114	5	1000	25	752	2	400	200	902
600 x 1200	1404	2000	854	1264	5	1000	100	752	2	400	200	1052
700 x 700	904	1167	954	764	3	600	50	852	3	600	300	552
750 x 450	654	750	1004	514	2	400	25	902	3	600	300	302
750 x 600	804	1000	1004	664	2	400	100	902	3	600	300	452
750 x 750	954	1250	1004	814	3	600	75	902	3	600	300	602
750 x 900	1104	1500	1004	964	4	800	50	902	3	600	300	752
750 x 1050	1254	1750	1004	1114	5	1000	25	902	3	600	300	902
750 x 1200	1404	2000	1004	1264	5	1000	100	902	3	600	300	1052
750 x 1370	1574	2284	1004	1434	6	1200	75	902	3	600	300	1222
750 x 1500	1704	2500	1004	1564	7	1400	50	902	3	600	300	1352
800 x 800	1004	1334	1054	864	3	600	100	952	3	600	300	652

2 ± 4mm ON THE STEM CENTERLINE DIMENSION.  
 1 ALL DIMENSIONS ARE IN MM  
 NOTES: UNLESS OTHERWISE SPECIFIED.

SS-254-1

REVISION	DATE	APPROVED
DRAWN BY KA	CHECKED BY	
SCALE NONE	DATE 15-03-05	
DRAWING NO. 100510	SHEET 3 OF 7	

FOR PRELIMINARY DESIGN PURPOSES ONLY  
 DO NOT USE FOR INSTALLATION UNLESS  
 PART OF CERTIFIED & APPROVED SUBMITTAL



GATE SIZE A x B	C	C1	D	G	J1	J2	J3	M	P1	P2	P3	S
												(RS)
900 x 450	654	750	1154	514	2	400	25	1052	4	800	400	302
900 x 600	804	1000	1154	664	2	400	100	1052	4	800	400	452
900 x 750	954	1250	1154	814	3	600	75	1052	4	800	400	602
900 x 900	1104	1500	1154	964	4	800	50	1052	4	800	400	752
900 x 1050	1254	1750	1154	1114	5	1000	25	1052	4	800	400	902
900 x 1200	1404	2000	1154	1264	5	1000	100	1052	4	800	400	1052
900 x 1370	1574	2284	1154	1434	6	1200	75	1052	4	800	400	1222
900 x 1500	1704	2500	1154	1564	7	1400	50	1052	4	800	400	1352
900 x 1670	1874	2784	1154	1734	8	1600	25	1052	4	800	400	1522
900 x 1800	2004	3000	1154	1864	8	1600	100	1052	4	800	400	1652
1000 x 1000	1204	1667	1254	1064	4	800	100	1152	4	800	400	852
1050 x 600	804	1000	1304	664	2	400	100	1202	5	1000	500	452
1050 x 750	954	1250	1304	814	3	600	75	1202	5	1000	500	602
1050 x 900	1104	1500	1304	964	4	800	50	1202	5	1000	500	752
1050 x 1050	1254	1750	1304	1114	5	1000	25	1202	5	1000	500	902
1050 x 1200	1404	2000	1304	1264	5	1000	100	1202	5	1000	500	1052
1050 x 1370	1574	2284	1304	1434	6	1200	75	1202	5	1000	500	1222
1050 x 1500	1704	2500	1304	1564	7	1400	50	1202	5	1000	500	1352
1050 x 1670	1874	2784	1304	1734	8	1600	25	1202	5	1000	500	1522
1050 x 1800	2004	3000	1304	1864	8	1600	100	1202	5	1000	500	1652

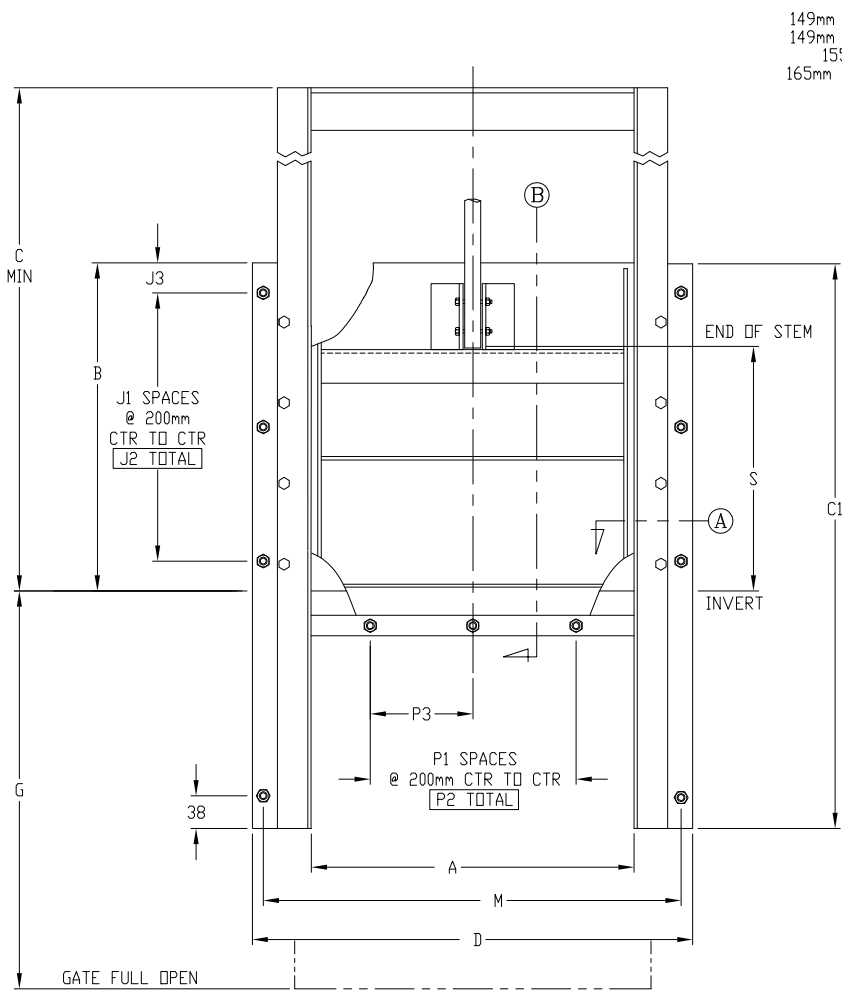
2 ± 4mm ON THE STEM CENTERLINE DIMENSION.  
 1 ALL DIMENSIONS ARE IN MM  
 NOTES: UNLESS OTHERWISE SPECIFIED.

SS-254-1

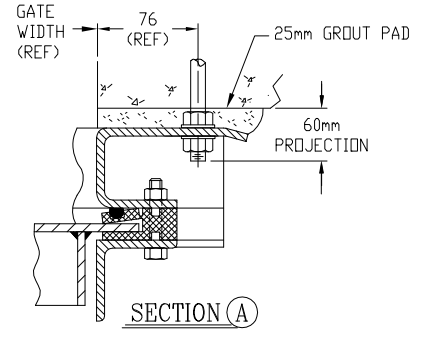
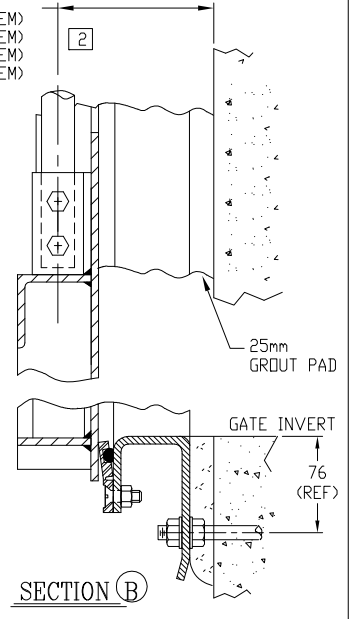
REVISION	DATE	APPROVED
DRAWN BY KA	CHECKED BY	
SCALE NONE	DATE 15-03-05	
DRAWING NO. 100510	SHEET 4 OF 7	

WATERMAN INDUSTRIES OF EGYPT

FOR PRELIMINARY DESIGN PURPOSES ONLY  
 DO NOT USE FOR INSTALLATION UNLESS  
 PART OF CERTIFIED & APPROVED SUBMITTAL



149mm (1-1/4 DIA STEM)  
 149mm (1-1/2 DIA STEM)  
 155mm (2 DIA STEM)  
 165mm (2-1/2 DIA STEM)



GATE SIZE A x B	C	C1	D	G	J1	J2	J3	M	P1	P2	P3	S (RS)
1100 x 1100	1304	1834	1354	1164	5	1000	50	1252	5	1000	500	952
1200 x 600	804	1000	1454	664	2	400	100	1352	5	1000	500	452
1200 x 750	954	1250	1454	814	3	600	75	1352	5	1000	500	602
1200 x 900	1104	1500	1454	964	4	800	50	1352	5	1000	500	752
1200 x 1050	1254	1750	1454	1114	5	1000	25	1352	5	1000	500	902
1200 x 1200	1404	2000	1454	1264	5	1000	100	1352	5	1000	500	1052
1200 x 1370	1574	2284	1454	1434	6	1200	75	1352	5	1000	500	1222
1200 x 1500	1704	2500	1454	1564	7	1400	50	1352	5	1000	500	1352
1200 x 1670	1874	2784	1454	1734	8	1600	25	1352	5	1000	500	1522
1200 x 1800	2004	3000	1454	1864	8	1600	100	1352	5	1000	500	1652
1300 x 1300	1504	2167	1554	1364	6	1200	50	1452	6	1200	600	1152
1370 x 750	954	1250	1624	814	3	600	75	1522	6	1200	600	602
1370 x 900	1104	1500	1624	964	4	800	50	1522	6	1200	600	752
1370 x 1050	1254	1750	1624	1114	5	1000	25	1522	6	1200	600	902
1370 x 1200	1404	2000	1624	1264	5	1000	100	1522	6	1200	600	1052
1370 x 1370	1574	2284	1624	1434	6	1200	75	1522	6	1200	600	1222
1370 x 1500	1704	2500	1624	1564	7	1400	50	1522	6	1200	600	1352
1370 x 1670	1874	2784	1624	1734	8	1600	25	1522	6	1200	600	1522
1370 x 1800	2004	3000	1624	1864	8	1600	100	1522	6	1200	600	1652

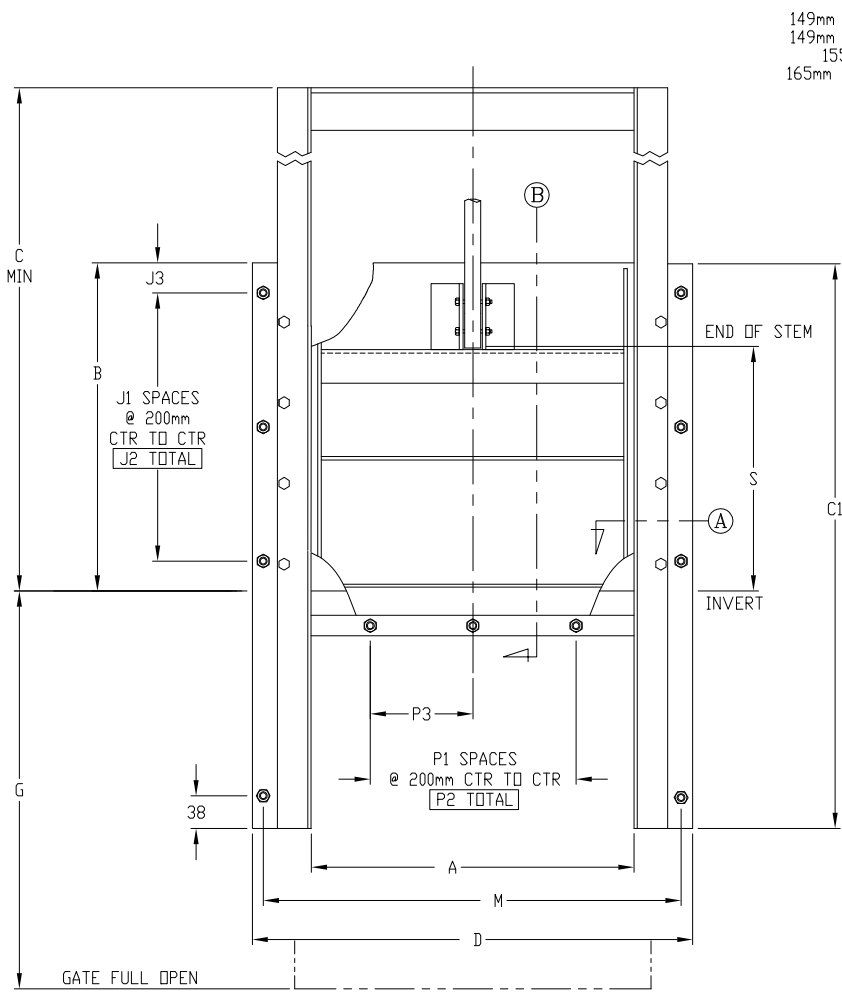
2 ± 4mm ON THE STEM CENTERLINE DIMENSION.  
 1 ALL DIMENSIONS ARE IN MM  
 NOTES: UNLESS OTHERWISE SPECIFIED.

SS-254-1

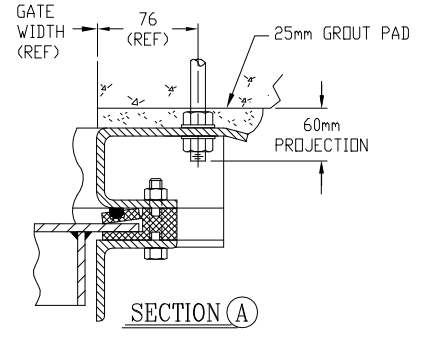
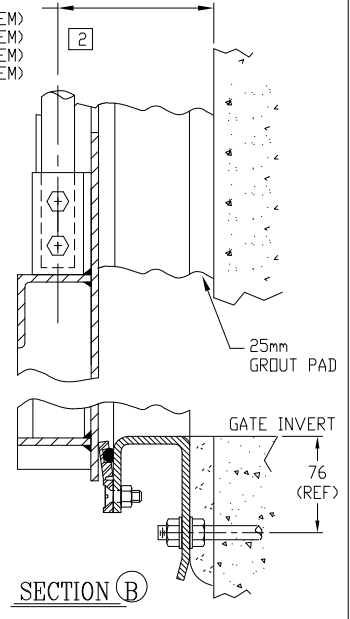
REVISION	DATE	APPROVED
DRAWN BY KA	CHECKED BY	
SCALE NONE	DATE 15-03-05	
DRAWING NO. 100510	SHEET 5 OF 7	

WATERMAN INDUSTRIES OF EGYPT

FOR PRELIMINARY DESIGN PURPOSES ONLY  
 DO NOT USE FOR INSTALLATION UNLESS  
 PART OF CERTIFIED & APPROVED SUBMITTAL



149mm (1-1/4 DIA STEM)  
 149mm (1-1/2 DIA STEM)  
 155mm (2 DIA STEM)  
 165mm (2-1/2 DIA STEM)



GATE SIZE A x B	C	C1	D	G	J1	J2	J3	M	P1	P2	P3	S
												(RS)
1400 x 1400	1604	2334	1654	1464	6	1200	100	1552	6	1200	600	1252
1500 x 750	954	1250	1754	814	3	600	75	1652	7	1400	700	602
1500 x 900	1104	1500	1754	964	4	800	50	1652	7	1400	700	752
1500 x 1050	1254	1750	1754	1114	5	1000	25	1652	7	1400	700	902
1500 x 1200	1404	2000	1754	1264	5	1000	100	1652	7	1400	700	1052
1500 x 1370	1574	2284	1754	1434	6	1200	75	1652	7	1400	700	1222
1500 x 1500	1704	2500	1754	1564	7	1400	50	1652	7	1400	700	1352
1500 x 1670	1874	2784	1754	1734	8	1600	25	1652	7	1400	700	1522
1500 x 1800	2004	3000	1754	1864	8	1600	100	1652	7	1400	700	1652
1600 x 1600	1804	2667	1854	1664	7	1400	100	1752	7	1400	700	1452
1670 x 900	1104	1500	1924	964	4	800	50	1822	8	1600	800	752
1670 x 1050	1254	1750	1924	1114	5	1000	25	1822	8	1600	800	902
1670 x 1200	1404	2000	1924	1264	5	1000	100	1822	8	1600	800	1052
1670 x 1370	1574	2284	1924	1434	6	1200	75	1822	8	1600	800	1222
1670 x 1500	1704	2500	1924	1564	7	1400	50	1822	8	1600	800	1352
1670 x 1670	1874	2784	1924	1734	8	1600	25	1822	8	1600	800	1522
1670 x 1800	2004	3000	1924	1864	8	1600	100	1822	8	1600	800	1652

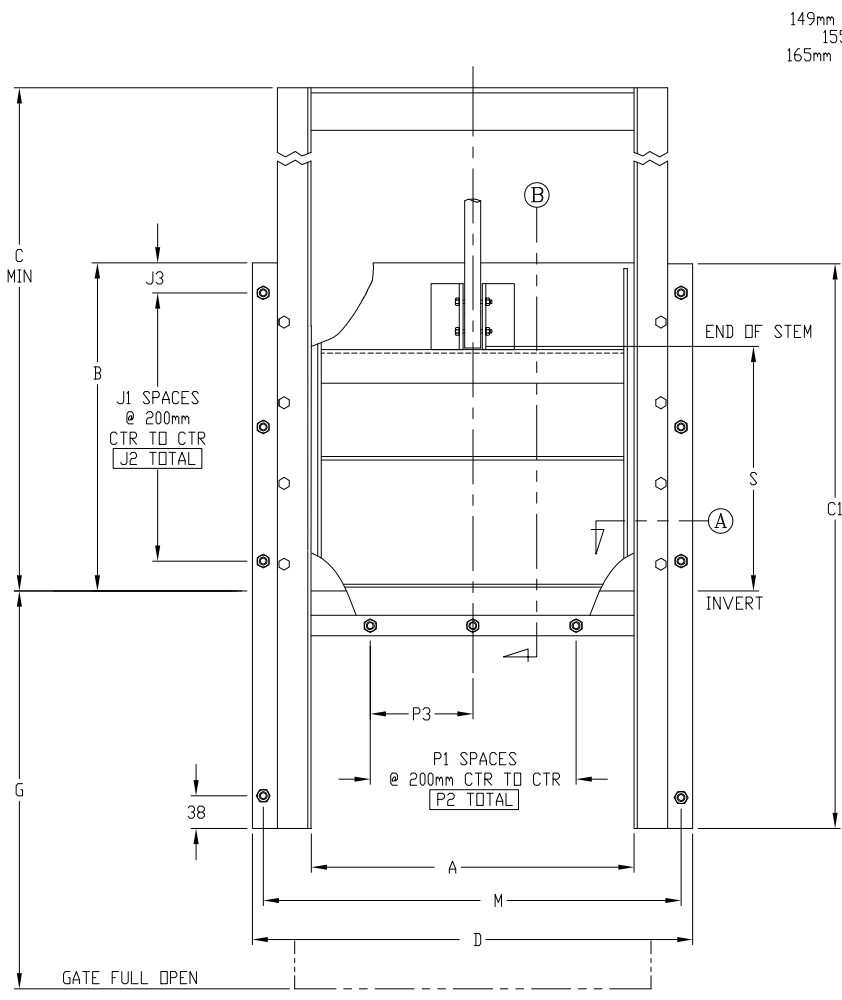
2 ± 4mm ON THE STEM CENTERLINE DIMENSION.  
 1 ALL DIMENSIONS ARE IN MM  
 NOTES: UNLESS OTHERWISE SPECIFIED.

SS-254-1

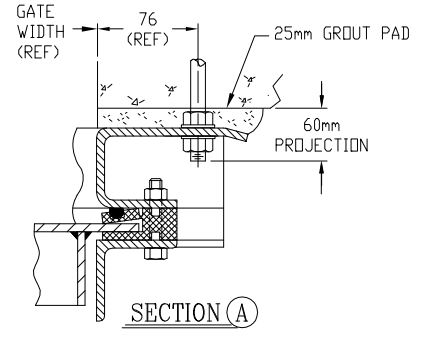
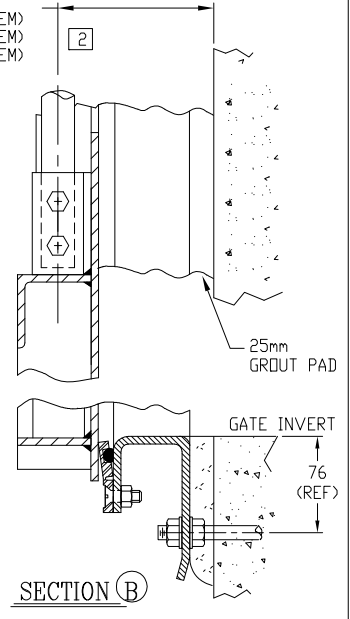
REVISION	DATE	APPROVED
DRAWN BY KA	CHECKED BY	
SCALE NONE	DATE 15-03-05	
DRAWING NO. 100510	SHEET 6 OF 7	

WATERMAN INDUSTRIES OF EGYPT

FOR PRELIMINARY DESIGN PURPOSES ONLY  
 DO NOT USE FOR INSTALLATION UNLESS  
 PART OF CERTIFIED & APPROVED SUBMITTAL



149mm (1-1/2 DIA STEM)  
 155mm (2 DIA STEM)  
 165mm (2-1/2 DIA STEM)



GATE SIZE A x B	C	C1	D	G	J1	J2	J3	M	P1	P2	P3	S
												(RS)
1700 x 1700	1904	2834	1954	1764	8	1600	50	1852	8	1600	800	1552
1800 x 900	1104	1500	2054	964	4	800	50	1952	8	1600	800	752
1800 x 1050	1254	1750	2054	1114	5	1000	25	1952	8	1600	800	902
1800 x 1200	1404	2000	2054	1264	5	1000	100	1952	8	1600	800	1052
1800 x 1370	1574	2284	2054	1434	6	1200	75	1952	8	1600	800	1222
1800 x 1500	1704	2500	2054	1564	7	1400	50	1952	8	1600	800	1352
1800 x 1670	1874	2784	2054	1734	8	1600	25	1952	8	1600	800	1522
1800 x 1800	2004	3000	2054	1864	8	1600	100	1952	8	1600	800	1652

2 ± 4mm ON THE STEM CENTERLINE DIMENSION.  
 1 ALL DIMENSIONS ARE IN MM  
 NOTES: UNLESS OTHERWISE SPECIFIED.

SS-254-1

REVISION	DATE	APPROVED
DRAWN BY KA	CHECKED BY	
SCALE NONE	DATE 15-03-05	
DRAWING NO. 100510	SHEET 7 OF 7	

WATERMAN INDUSTRIES OF EGYPT